



GKEA06L



Actual product appearance may vary.

GKE Series, Dual Entry Key-Operated Safety Interlock Switch, 2NC Direct Opening, Slow Action, 1/2 NPT, Plastic, Silver Contacts

Features

- Positive opening safety contacts
- Multiple contact configurations
- Rotating head allows actuator engagement from five orientations
- Double insulation per IEC 60947-5-1
- Choice of two standard actuators
- Small size
- Global approvals (cULus, CE, CCC)

Potential Applications

- Plastic molding equipment
- Packaging machinery
- Semiconductor manufacturing equipment
- Woodworking machinery
- Metal converting equipment
- Printing/paper finishing equipment

Description

The GKE Series safety key-operated switch provides superior reliability for safety hard guarding applications in a compact, cost-effective package. The GKE conforms to IEC 60947-5-1 and carries the cULus, CE, and CCC approvals.

Product Specifications	
Product Type	Key Operated Safety Interlock Switch
Actuator	Key
Switch Type	2NC Direct Opening, Slow Action
Contact Material	Silver
Termination Type	1/2 NPT
Ampere Rating	100 mA to 10 A (Thermal)
Voltage	500 Vac and 250 Vdc Maximum
Housing Material	Plastic
Housing Type	EN50047
Series Name	GKE
Shock	50 g per IEC 68-2-27

Vibration	10 g per IEC 68-2-6
Sealing	IP66, NEMA 1, 12, 13
Approvals	cULus, CE, CCC
CSA File #	E37138
UL File #	E37138, E157416
Agency Approvals and Standards	IEC 947-5-1, EN60947-5-1
Mechanical Life	1 Million
Operating Temperature Range	-25 °C to 85 °C [-13 °F to 185 °F]
Availability	Global
UNSPSC Code	302119
UNSPSC Commodity	302119 Switches and controls and relays
Note 1	Low Voltage Directive 73/23/EEC, as amended by directive 93/68/EEC. Machinery Directive 98/37/EEC only as the directives relate to the components being used in a safety function.

HONEYWELL
PART NUMBER
GKE SERIES CHART 1

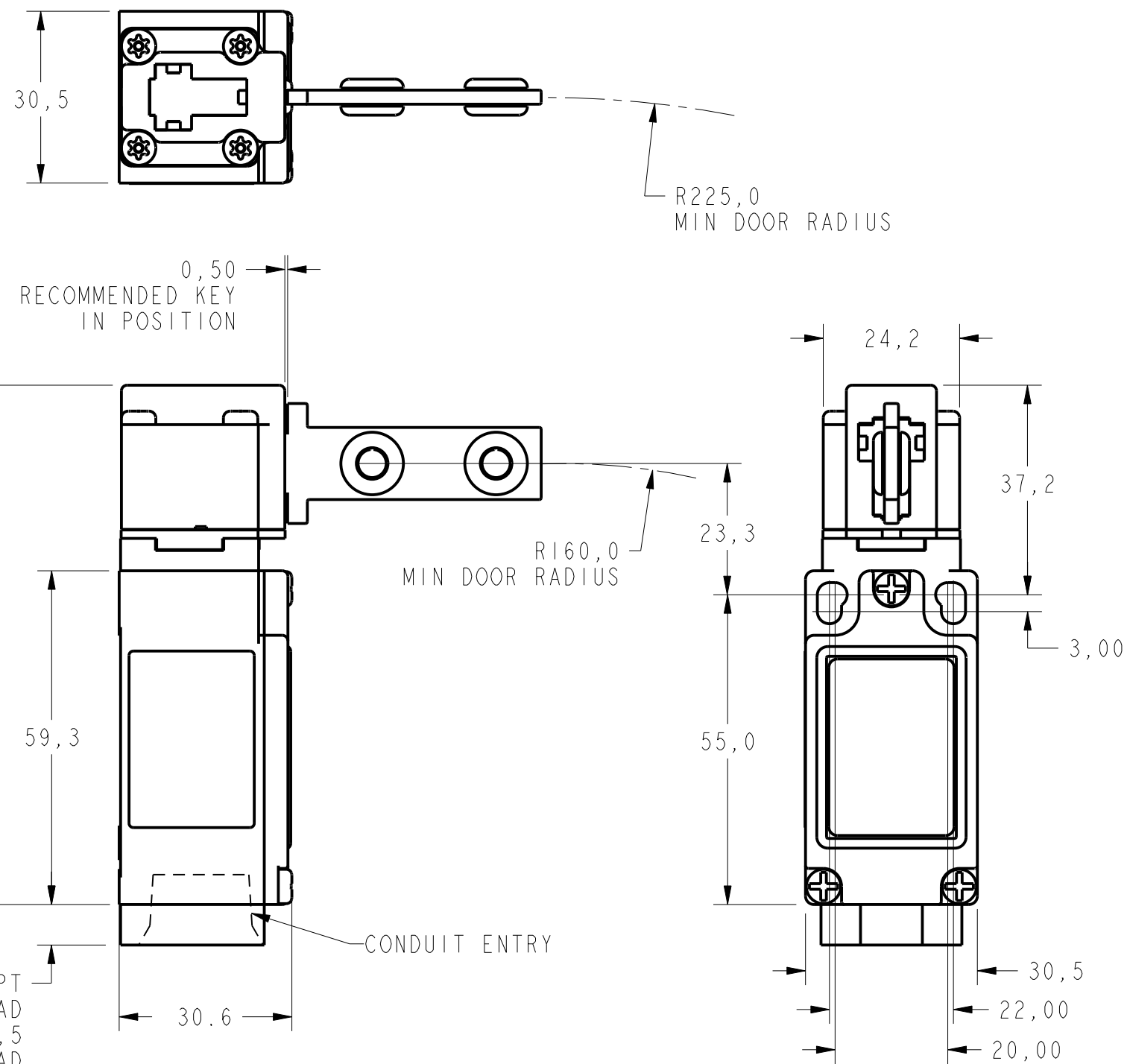
GKE

REV	DOCUMENT	CHANGED BY	CHECK
B	0016724	TSG 08NOV05	RJ

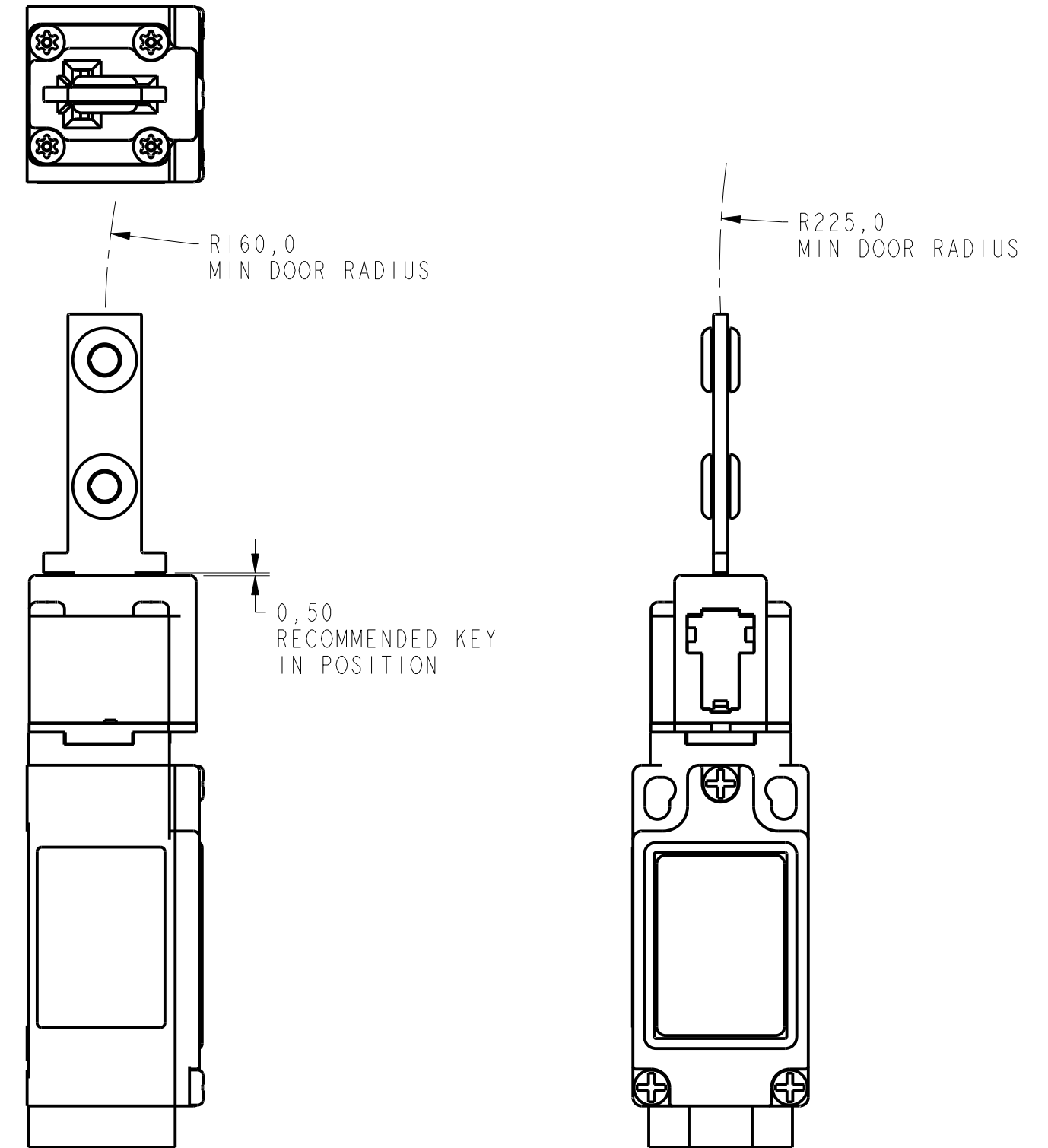
NOTES

- 1 - THERMOPLASTIC BODY AND HEAD
 - 2 - MINIMUM OPERATING VELOCITY (V_{min}) = 2 mm/S
MAXIMUM OPERATING VELOCITY (V_{max}) = 200 mm/S
MAXIMUM OPERATING FREQUENCY (F_{max}) = 100 OPS/MIN
 - 3 - INSERTION FORCE = 7N NOM
EXTRACTION FORCE = 15N NOM
DISCONNECT FORCE = 25N MAX
 - 4 - SNAP ACTION N.C. CONTACTS: POSITIVE OPENING
SLOW MAKE AND BREAK N.C. CONTACTS: DIRECT ACTING
 - 5 - WHEN KEY IS INSERTED: N.C. TERMINALS ARE 11/12 AND/OR 21/22
N.O. TERMINALS ARE 13/14
- 6 - SEE BASIC SWITCH COLUMN FOR VOLTAGE RATING
- 7 - T-15 TAMPER PROOF TORX DRIVER BIT GKZT15BIT MAY BE PURCHASED SEPARATELY FOR USE IN REORIENTING OPERATING HEAD, SEE INSTALLATION INSTRUCTIONS
- 8 - SWITCH MUST OPERATE BEFORE REACHING MINIMUM INSERTION DISTANCE
- 9 - KEY ACTUATOR NOT SUPPLIED WITH PRODUCT, ACTUATOR MUST BE PURCHASED SEPARATELY
- 10 - RECOMMENDED TIGHTENING TORQUE FOR MOUNTING SCREW : 1 - 1,4 Nm
- 11 - ENCLOSURE DOUBLE INSULATED TO IEC 536 CLASS II

CONDUIT CODE		BASIC SWITCH CODE ⁶		HEAD ORIENTATION CODE	
CODE		CODE		CODE	
A	1/2 NPT	01	SNAP ACTION INC - INO, A600	L	OPENING TO FRONT AND TOP
C	20 MM	03	SLOW ACTING INC - INO BBM, A600	M	OPENING TO RIGHT AND TOP
		06	SLOW ACTING 2NC, A500	N	OPENING TO BACK AND TOP
				P	OPENING TO LEFT AND TOP



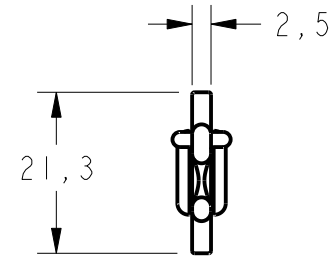
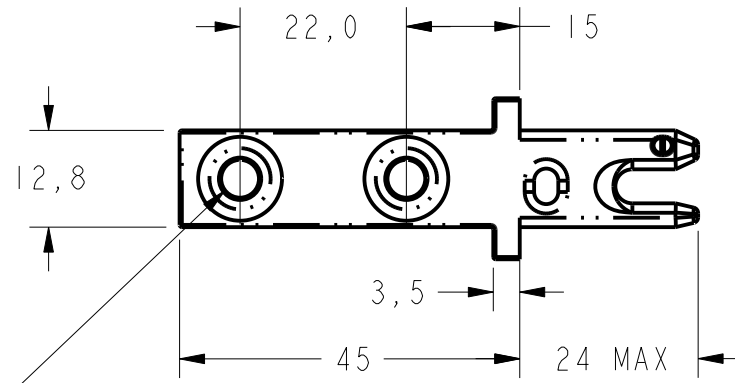
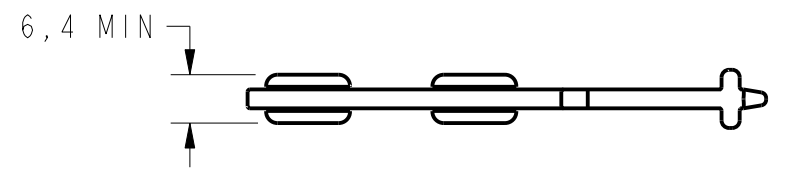
FRONT ENTRY



TOP ENTRY

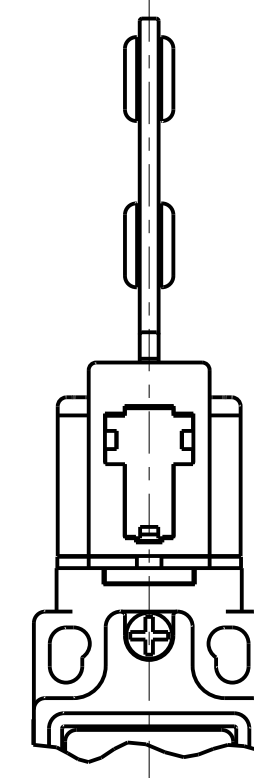
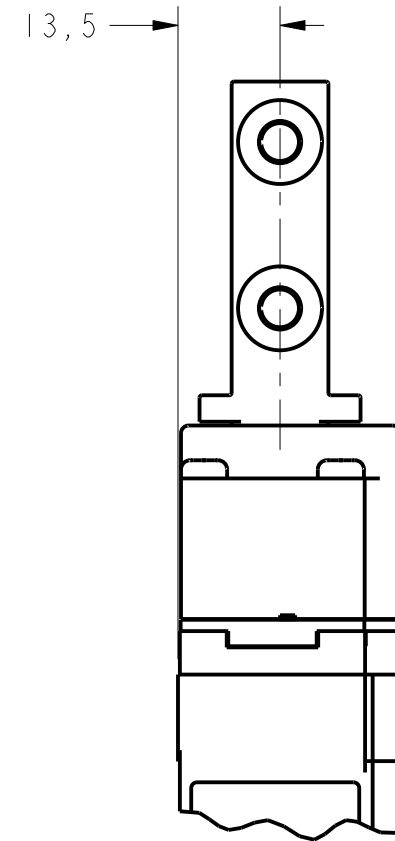
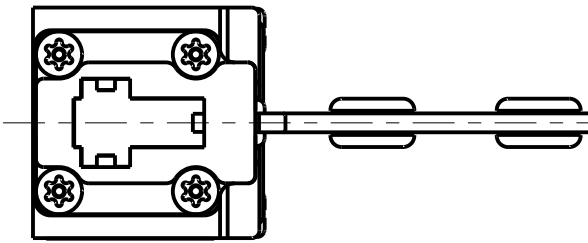
ELECTRICAL RATING				ENVIRONMENTAL		APPROVALS	
AC		DC					
A500/A600 $U_e/\sqrt{6}$	AC15 I_e	Q300 U_e	DC13 I_e	IP 66	NEMA 1, 12 & 13	IEC 60947-5-1 EN50047	
(VOLTS)	(AMPS)	(VOLTS)	(AMPS)	TEMP RANGE: -25°C TO 85°C			
120	6	24	2.8	STORAGE: -40°C TO 85°C			
240	3	125	.55	SHOCK: 50G PER IEC 68-2-27			
380	1.9	250	.27	VIBRATION: 10G PER IEC 68-2-6			
480	1.5						
500	1.4						
600	1.2						
ITH = 10A							

DESIGN UNITS: MM	DRAWN	MAM	23 JUN 05				
TOLERANCES UNLESS NOTED:	CHECK	-	23 JUN 05				
NO PLACE .X ± 1,000	THIS DRAWING COVERS A PROPRIETARY ITEM AND IS THE PROPERTY OF HONEYWELL. THIS DRAWING IS NOT TO BE COPIED OR USED WITHOUT THE PERMISSION OF HONEYWELL.			TITLE			
ONE PLACE .X ± 0,4				SWITCH, KEY INTERLOCK			
TWO PLACE .XX ± 0,15				SIZE			
THREE PLACE .XXX ± 0,005				TYPE			
FOUR PLACE .XXXX ± 0,0050				DRAWING NAME			
ANGLES X ± 3				GKE SERIES CHART 1			
	INTERPRET PER ASME Y14.5M-1994 OTHER HONEYWELL ENGINEERING STANDARDS MAY APPLY			SCALE	FULL	SHEET	1 OF 3
	Pro/ENGINEER			3D			

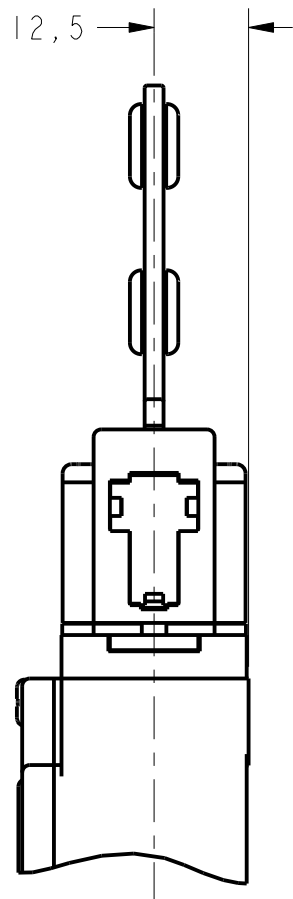
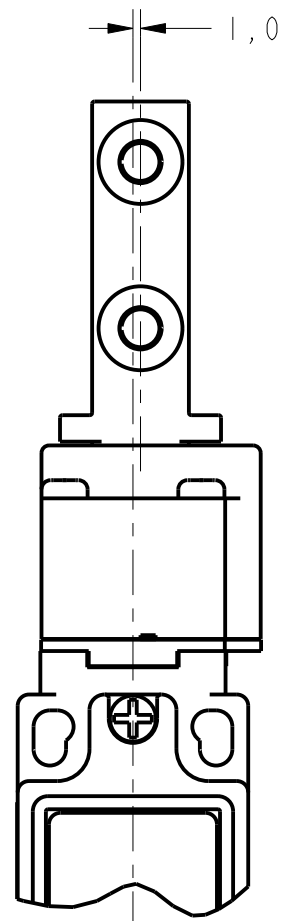
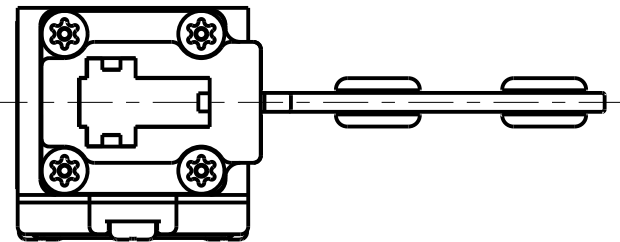


2X HOLES FOR M4 OR #8 SCREWS $\triangle 10$

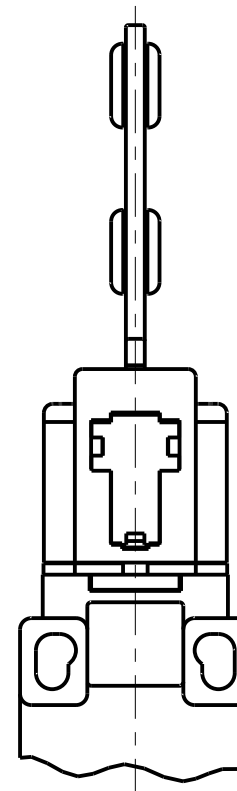
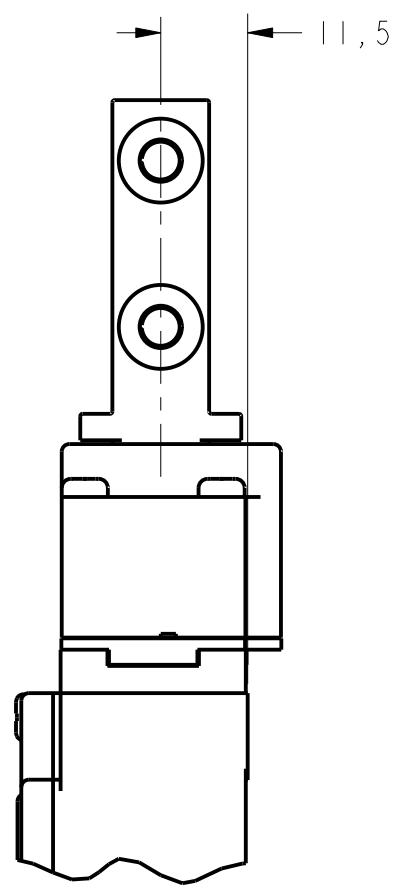
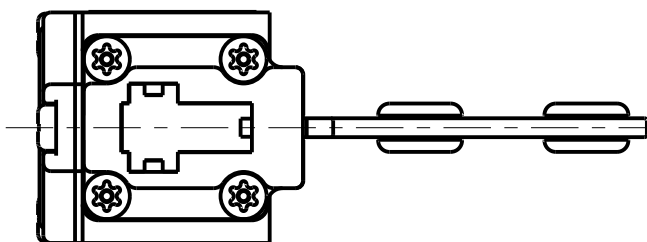
ACTUATOR GKZ51M $\triangle 9$
STRAIGHT KEY
 (STAINLESS STEEL)



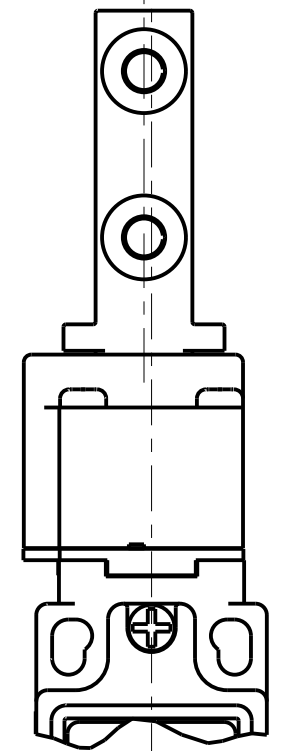
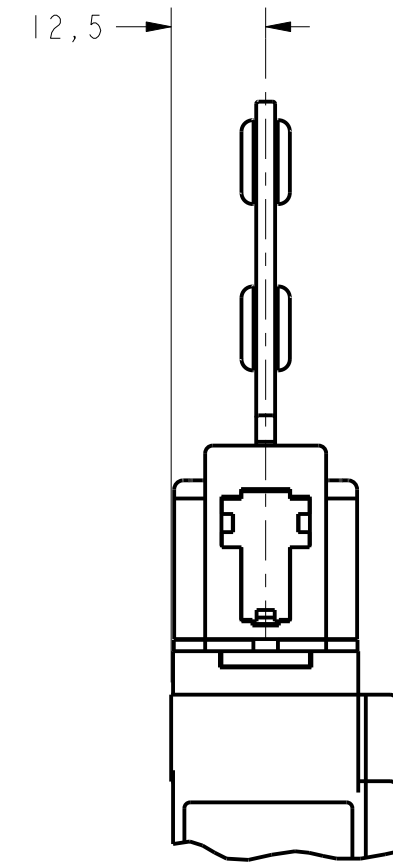
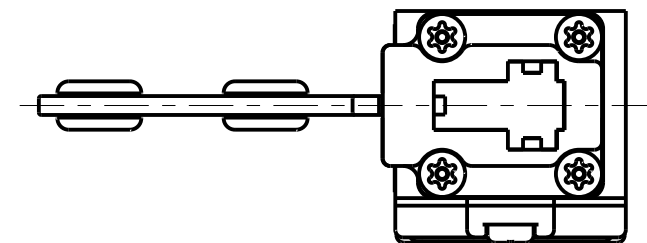
HEAD ORIENTATION CODE L



HEAD ORIENTATION CODE M



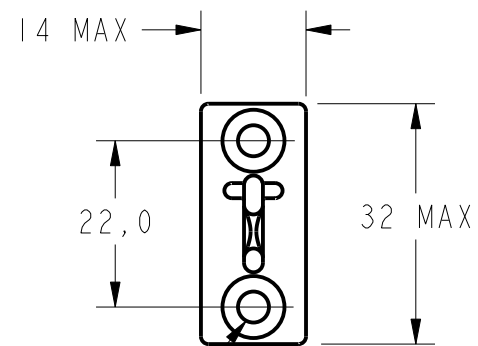
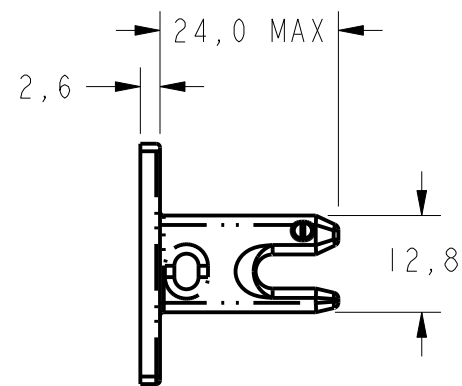
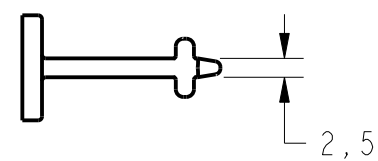
HEAD ORIENTATION CODE N



HEAD ORIENTATION CODE P

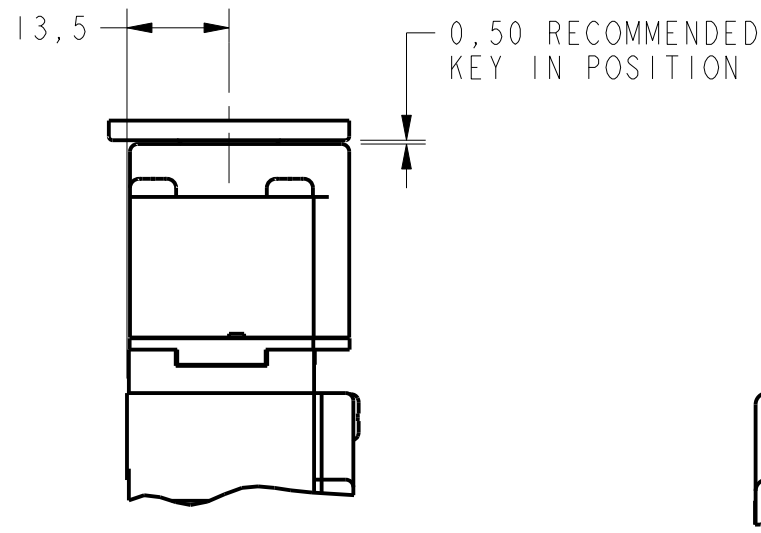
THIS DRAWING COVERS A PROPRIETARY ITEM AND IS THE PROPERTY OF HONEYWELL. THIS DRAWING IS NOT TO BE COPIED OR USED WITHOUT THE PERMISSION OF HONEYWELL.

Honeywell			
SIZE	DWG TYPE	DRAWING NAME	REV
C	I	GKE SERIES CHART 1	B
SCALE	FULL	SHEET	2 OF 3

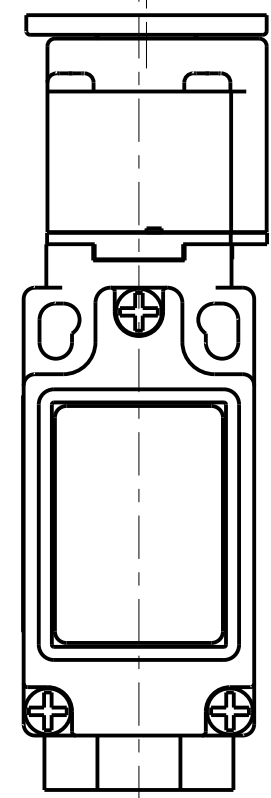
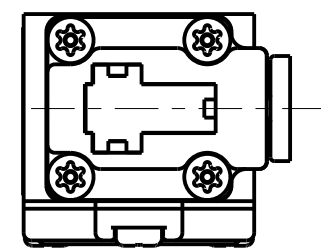


2X HOLES FOR M4 OR #8
COUNTERSUNK SCREW
WITH 45° COUNTERSINK
X ∇ 2,1 \triangle 10

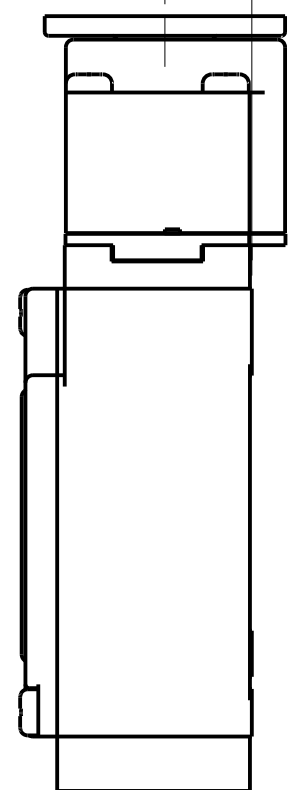
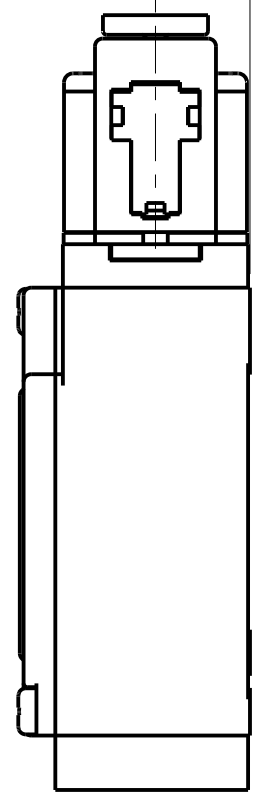
ACTUATOR GKZ52M \triangle 9
90° KEY
(STAINLESS STEEL)



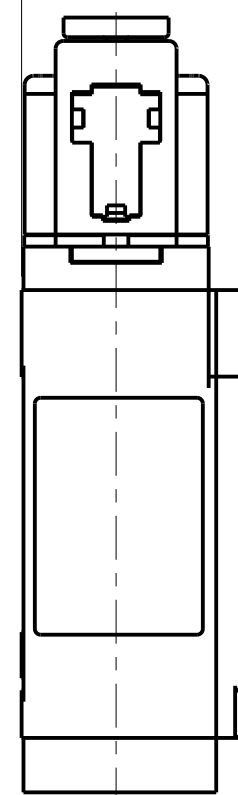
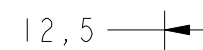
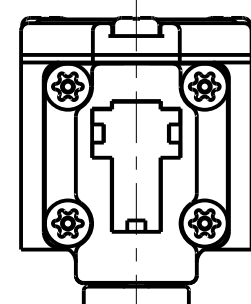
HEAD ORIENTATION CODE L



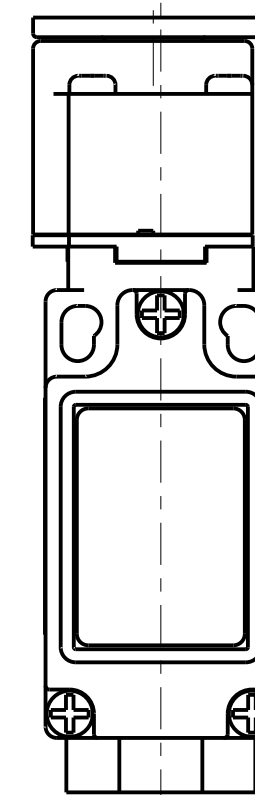
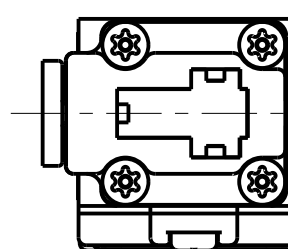
HEAD ORIENTATION CODE M



HEAD ORIENTATION CODE N



HEAD ORIENTATION CODE P



THIS DRAWING COVERS A PROPRIETARY
ITEM AND IS THE PROPERTY OF
HONEYWELL. THIS DRAWING IS
NOT TO BE COPIED OR USED WITHOUT
THE PERMISSION OF HONEYWELL.

Honeywell			
SIZE	DWG TYPE	DRAWING NAME	REV
C	I	GKE SERIES CHART 1	B
SCALE	FULL	SHEET	3 OF 3